

PRUVEEO



USER MANUAL

Safety information

To prevent injury to yourself or others, or damage to your device, read all safety information before using.



Warning

Failure to comply with safety warnings and regulations can result in serious injury or death.

Pruveeo Dash Cam is not intended to be touched, modified, or calibrated while operating a vehicle. Pruveeo is not responsible for any damages resulting from the user's misuse of the camera.

Do not use damaged power cords or plugs, or loose electrical sockets. Faulty connections can cause electric shock or fire.

Do not touch the car charger with wet hands or disconnect the charger by pulling the cord. Doing so may result in electrocution.

Do not use a bent or damaged car charger. Doing so may cause electric shock or fire.

Do not use your device while it is charging or touch your device with wet hands. Doing so may cause electric shock.

Do not short-circuit the charger or the device. Doing so may cause electric shock or fire, or cause the battery to malfunction or explode.

Use only manufacturer-approved chargers, accessories, and supplies.

- Using generic chargers may shorten the life of your device or cause the device to malfunction. They may also cause fire or cause the battery to explode.
- Use only the manufacturer-approved charger specifically designed for your device. Using an incompatible charger can cause serious personal injury or damage to your device.
- Pruveeo cannot be responsible for the user's safety when using accessories or supplies that are not approved by Pruveeo.

Do not drop the charger or device, or subject them to impact. Handle and dispose of the charger and device with care.

- Never crush or puncture the device.
- Never dispose of the device in a fire.
- Never place the device in or on heating devices, such as microwave ovens, stoves, or radiators. The device may explode if overheated. Follow all local regulations when disposing of a used device.
- Avoid exposing the device to high external pressure, which can lead to an internal short circuit and overheating.

Protect the device and charger from damage.

- Avoid exposing your device to excessive cold or heat. Extreme temperatures can damage the device and reduce the charging capacity and life of your device.
- Do not allow children or animals to bite or chew the device. Doing so can result in fire or explosion, and small parts can be a choking hazard. If children use the device, make sure they use the device properly.
- Never use a damaged charger.

Do not handle a damaged or leaking Lithium Polymer Battery battery. For safe disposal of your Lithium Polymer Battery battery, contact your nearest authorized service center.



Caution

Failure to comply with safety precautions and regulations can result in property damage, serious injury or death.

Do not use your device near other electronic devices. Most electronic devices use radio frequency signals. Your device may interfere with other nearby electronic devices.

Do not use your device near other devices that emit radio signals, such as sound systems or radio towers. Radio signals from these may cause your device to malfunction.

Do not expose the device to heavy smoke or fumes. Doing so may damage the outside of the device or cause it to malfunction.

If you notice strange smells or sounds coming from your device, or if you see smoke or liquid leaking from the device, stop using the device immediately and take it to a Pruveeo Service Center. Failure to do so may result in fire or explosion.

For your own safety, do not operate the controls of this product while driving. The window mount is needed when using the recorder in a car. Make sure that you place the recorder in a location where it will not obstruct the driver's view.

Always keep the camera lens clean, and ensure that the lens is not blocked by any object or placed near any reflective material. If the car's windshield is tinted with a dark coating, recording quality may be affected.

Do not store your device in excessively hot, cold, damp or dry locations. Doing so may cause the screen to malfunction, result in damage to the device, or cause the battery to explode.

Your device is recommended for use and store within a temperature range of 15 degrees Fahrenheit to 150 degrees Fahrenheit, and a humidity range of 10% to 80%.

If your device becomes overheated, allow it to cool down before use. Prolonged exposure of skin to an overheated device may cause low-temperature burn symptoms, such as red spots or areas of darker pigmentation.

Install mobile devices and equipment with caution.

- Ensure that any mobile devices or related equipment installed in your vehicle are securely mounted.
- Avoid placing your device and accessories in or near an airbag deployment area. Improperly installed wired equipment can cause serious injury in a situation where airbags inflate rapidly.

Do not drop your device or subject your device to impact. If the device is bent, deformed or damaged, malfunction may occur.

Take care to maximum battery and charger life:

- Your device may wear out over time. Some parts and repairs are covered by the warranty within the validity period, but damage or deterioration related to the use of unapproved accessories is not.

Do not attempt to disassemble, repair, or modify your device.

- Any changes or modifications to your device can void your manufacturer's warranty. If your device needs servicing, take it to an authorized Pruveeo Service Center.

Clean your device and charger by wiping with a towel or eraser. Do not use chemicals or detergents. Doing so can discolor or corrode the outside of the device, and may result in electric shock or fire.

Do not distribute copyright-protected material. Doing so without the permission of the content owners may violate copyright laws. The manufacturer is not responsible or liable for any legal issues that result from the user's illegal use of copyrighted material.

Correct disposal of this product

(applicable in countries with separate waste collection systems)



Waste Electrical & Electronic Equipment

This symbol, found on the device, accessories or accompanying literature, indicates that the product and its electronic accessories (e.g. charger, headset, USB cable) should not be disposed of with other household waste.

To prevent possible harm to the environment or human health from uncontrolled waste disposal, please separate these items from other types of waste and recycle them responsibly to promote the sustainable reuse of material resources.

Household users should contact either the retailer where they purchased this product, or their local government office, for information on where and how they can take these items for environmentally safe recycling.

Business users should contact their supplier and check the terms and conditions of the purchase contract. This product and its electronic accessories should not be mixed with other commercial wastes for disposal.

Disclaimer

Some content and services accessible through this device belong to third parties and are protected by copyright, patent, trademark and/or other intellectual property laws. Such content and services are provided solely for your personal non-commercial use.

You may not use any content or services in a manner that has not been authorized by the content owner or service provider. Without limiting the foregoing, unless expressly authorized by the applicable content owner or service provider, you may not modify, copy, republish, upload, post, transmit, translate, sell, create derivative works, exploit, or distribute in any manner or medium any content or services displayed through this device.

"THIRD PARTY CONTENT AND SERVICES ARE PROVIDED "AS IS." PRUVEEO DOES NOT WARRANT CONTENT OR SERVICES SO PROVIDED, EITHER EXPRESSLY OR IMPLIEDLY, FOR ANY PURPOSE. PRUVEEO EXPRESSLY DISCLAIMS ANY IMPLIED WARRANTIES, INCLUDING BUT NOT LIMITED TO, WARRANTIES OF MERCHANTABILITY OR FITNESS FOR A PARTICULAR PURPOSE. PRUVEEO DOES NOT GUARANTEE THE ACCURACY, VALIDITY, TIMELINESS, LEGALITY, OR COMPLETENESS OF ANY CONTENT OR SERVICE MADE AVAILABLE THROUGH THIS DEVICE AND UNDER NO CIRCUMSTANCES, INCLUDING NEGLIGENCE, SHALL PRUVEEO BE LIABLE, WHETHER IN CONTRACT OR TORT, FOR ANY DIRECT, INDIRECT, INCIDENTAL, SPECIAL OR CONSEQUENTIAL DAMAGES, ATTORNEY FEES, EXPENSES, OR ANY OTHER DAMAGES ARISING OUT OF, OR IN CONNECTION WITH, ANY INFORMATION CONTAINED IN, OR AS A RESULT OF THE USE OF ANY CONTENT OR SERVICE BY YOU OR ANY THIRD PARTY, EVEN IF ADVISED OF THE POSSIBILITY OF SUCH DAMAGES."

Third party services may be terminated or interrupted at any time, and Pruveeo makes no representation or warranty that any content or service will remain available for any period of time. Content and services are transmitted by third parties by means of networks and transmission facilities over which Pruveeo has no control. Without limiting the generality of this disclaimer, Pruveeo expressly disclaims any responsibility or liability for any interruption or suspension of any content or service made available through this device.

Pruveeo is neither responsible nor liable for customer service related to the content and services. Any question or request for service relating to the content or services should be made directly to the respective content and service providers.

Warm Prompt

We recommend that you carefully read this manual before using the dash cam, then read it again with the dash cam in your hands as this will help you to familiarize yourself with its many features. The dash cam is constantly improved over time, so the specification of the dash cam may change.

Please note that each button has multiple functions so please be careful which Buttons you press in relation to each Mode / Function. There is no need to get frustrated because you should only do this once in order to set it up in the way that you require.

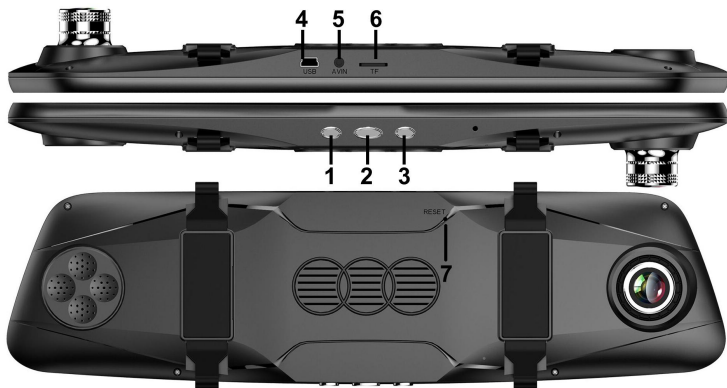
1. Please ensure that the dash cam is SWITCHED OFF when you either insert or remove a Micro SD Card, in order to avoid damage.
2. Please ensure that the Micro SD Card is inserted in the right way. If it is inserted backwards, it might damage the dash cam and Card.
3. If the Micro SD Card is not compatible with the dash cam, please DO NOT insert it again, as you will damage the Card and the dash cam. Please buy the correct Card and then try again.
4. The dash cam supports the Micro SD card from 8GB to the highest 32GB, Class 10 only.
5. Adjust the position of the lens to ensure that you correctly record what you want.
6. We recommend a 32 GB Class 10 Micro SD Card for this dash cam.
7. In video recording mode, if you want to operate other buttons, please stop recording videos first.


8. When using the built-in power, the dash cam will prompt low power and save the document then turn off automatically if the power is not enough.
9. We recommend using default factory settings, once the MENU has been set, then connect the car charger to the unit and put into the card. Once the car is started, the unit will automatically start recording. Once the car turns off, the unit will automatically stop recording. Please note that your vehicle's Cigarette Lighter Sockets do not have any power when the ignition is switched OFF.
10. All dash cam models must be continuously connected to either a 12 or 24 Volt power supply via a 5V 1A Charger because a LCD colour screen consumes a considerable amount of power. That is why mobile phone / dash cam screens automatically go blank when not being used - to save power. A fully charged battery will only power the screen for a few minutes. It must always be connected to a power supply via a 5V 1A Charger.
11. If you turn the option of SCREEN SAVER ON, in video recording mode, when the screen is switched Off, the dash cam is still recording. You can turn the screen on by pressing power button.
12. If you want to playback the videos, we recommend unplugging your micro SD card and plugging into your PC with card reader. We recommend using Potplayer on Windows OS, and Movist + VLC on MAC OS.
13. After several weeks of daily recording it may be necessary for you to format your Micro TF Memory Card - if that is the case, please note that you will lose all of your files, so please back up a copy on your computer first in a unique dash cam Folder that you have created.

14. When your dash cam crashes / screen goes black, the phenomenon may be caused by improper operation, crash, please press the R = Reset button, hole by the top corner, gently with a cocktail stick. Just like you would do for a computer, printer, phone, etc.
15. Dash cam only supports the micro SD card with the FAT file format, please format your micro SD card with the FAT32 file format on your PC first.
16. We recommend formatting your micro SD card once a month, and replace the micro SD card every three months because the memory card has a certain number of reads and writes, if it reaches the numbers, the micro SD card can't be used.

Product Structure Specification

1. MIC audio recording button
2. Power / Turn screen ON / OFF button
3. OK / REC video recording button
4. USB / Power slot
5. Rear Camera slot
6. Micro SD Card slot
7. Reset button



<p>Audio recording button</p>	<p>Recording Mode Hot Key: Mute Press to mute / un-mute the microphone.</p>
<p>Power ON / OFF button</p>	<p>* Press and hold for about 3 seconds to turn the device on or off. * Press to turn screen on / off.</p>
<p>OK button</p>	<p>* Recording Mode Hot Key: Record Press to start / stop recording.</p> <p>* Press to confirm a selection while in Setting Mode. Press  to exit current settings</p> <p>* In playback mode, press to start / stop playing video.</p>
<p>Reset button</p>	<p>If the dash cam stops working, press and hold for about 7 seconds to reset the dash cam.</p>

Operating Instructions of Main Functions

Screen Switch

Touch the Screen to switch the image between Front, Rear, Picture in Picture.

Screen Saver

Recommend setting: 3 Minutes

Select a time duration for the screen to stay lit after recording starts. You can use a hot key shortcut for this feature. **Press the Power Button to turn the screen ON / OFF, when the screen is off, touch the screen with your finger to turn the screen ON.**

Emergency Lock

When recording the video, touch [Lock video] icon to start the emergency lock, and the current video clip is stored as a protected file.

One-click Silent Mode

If you do not want to record the sound, press the Audio recording button to start / stop mute mode.

Video Record function

Press the [OK] button to start / stop recording.

Tips: If it's your first time using this memory card, please format the Micro SD Card on your PC with FAT32 file format. Dash cam only supports the FAT32 file system.

Installation

Video guide: <http://bit.ly/2F7yGcB>

Mounting the rear camera


Mount the rear camera as shown below, using rear camera extension cable, connect rear camera to the main unit.



Rear Camera Wiring Reference
(as shown above)

Red Wire: This wire provides 12 Volt (V) power to your back-up camera. This can be connected to any 12V power source on your vehicle. However, it's recommend to connect to your reverse lights so the camera only turns on when the vehicle is in reverse. Note: If your vehicle is equipped with trailer wiring, it's recommended to connect to the 12V reverse light wire contained within your trailer wiring harness. Please refer to the wiring diagram(s) for your specific vehicle and/or trailer harness to determine the correct color 12V wire for the reverse lights.

Recording Functions Setting

In standby mode, please stop recording first, touch the [Menu / Home] icon to start the main menu, then please touch the [Setting] icon to enter settings. Touch the [] icon to exit menu settings.

Video resolution: Set the video screen size, the higher the resolution is, the greater the video screen size will increase, so does the storage space it occupies, we recommend using 1280x720.

Loop Recording (Video duration): 1 minute / 2 minutes / 3 minutes. Captured videos are stored in clips, when the memory card is full, the new videos will overwrite the previous recording, and keeps in such loop mode. Menu time refers to duration of each single clip.

Exposure Compensation: You can adjust the value according to the intensity of light, to make up for video underexposed or overexposed.

Website: www.pruveeo.us

Email: support@pruveeo.us

Office Address: 5688 Whitehorn Way, Blaine, WA 98230

If you have any question, please contact us with no hesitation at support@pruveeo.us for quick solutions. Every customer contact will be issued within 24 hours.